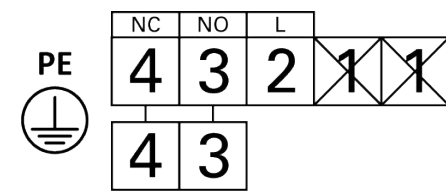
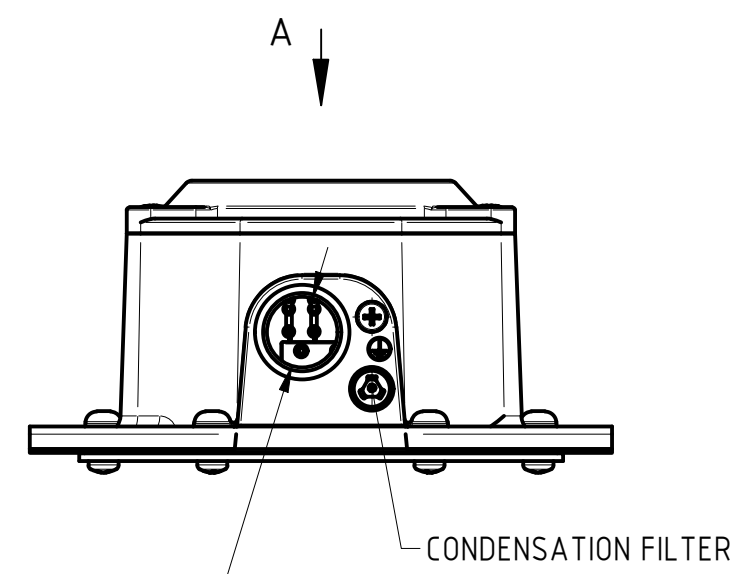
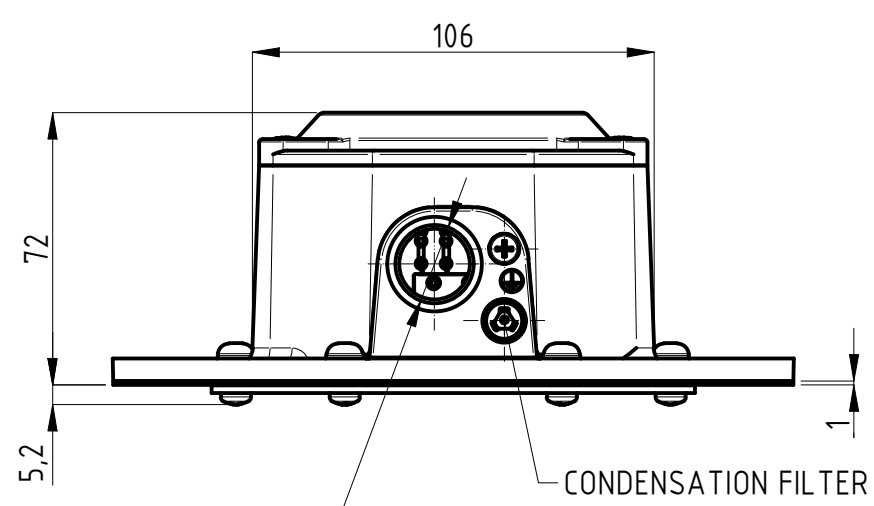
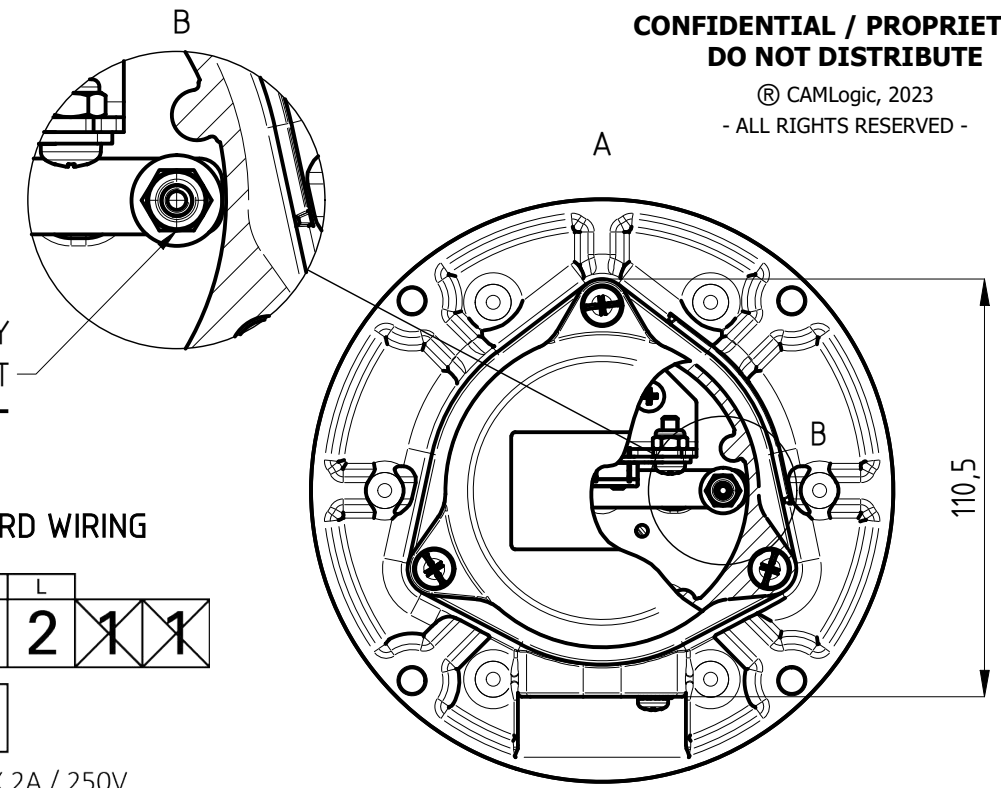


SENSITIVITY ADJUSTMENT
 - ~ +

STANDARD WIRING

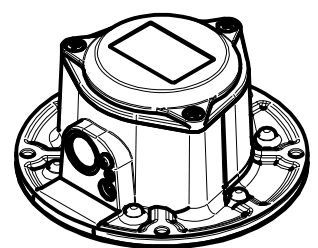
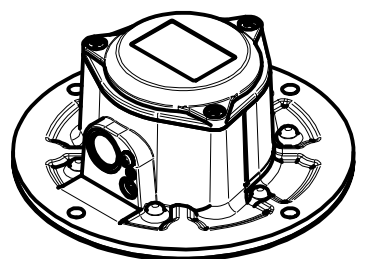


MAX 2A / 250V



AVAILABLE THREADS:
 G1/2 - M20 - 1/2NPT

AVAILABLE THREADS:
 G1/2 - M20 - 1/2 NPT



Model	MN21/MN21F
Type	Membrane level indicator (bulk solids)
Weight	1,026/0,910 [Kg]
Power supply	No power supply needed
Signal output	SPDT potential free changeover contact (max 2A / 250VAC)
Microswitch mechanical life	Minimum 5x10 ⁶ cycles
Sensitivity range	Standard from 15 to 25 mbar
Protection	IP65
Housing	Aluminium (powder coated)
Flange	Aluminium (counter flange AISI316)
Membrane	EPDM & Stainless steel (AISI 316)
Ambient temperature range	-20 to +70 [°C] / -4 to +158 [°F]
Process temperature range	-40 to 70 [°C] / -40 to +158 [°F]
EU Directive	2011/65/EU (RoHS) 2014/30/EU (EMC) 2014/35/EU (LVD) 2014/34/EU (ATEX) 1935/2004/EC (Food contact compliance)
Ex type of protection (ATEX)	II 1/2D Ex ta/tb IIIC T85°C IP65 Da/Db
Ex type of protection (IECEx)	Ex ta/tb IIIC T85°C Da/Db



DRAWING N.
0602_0021_00

SHEET:
 1 OF 2
 REV: 01

GENERAL TOL.: ISO 2768-mH

UNLESS OTHERWISE SPECIFIED
 DIMENSION ARE IN (mm)

DRAWING FROM CAD SYSTEM - REFER TO 3D MODEL FOR
 MISSING DIMENSION - NO MANUAL MODIFICATION ALLOWED

SCALE: 1:2

DRAWN F.V.
 DATE 18/10/2023

SIZE UNI A3

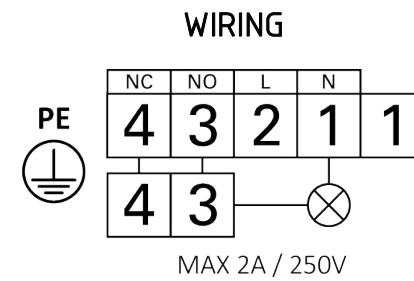
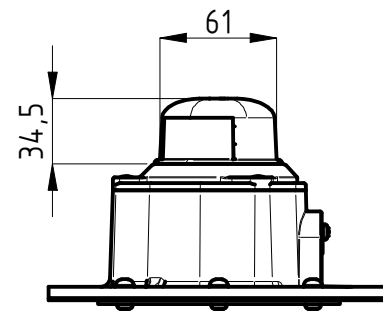
- SIGNAL LAMP

An optional LED lamp can be added to the level indicator, placed on top of the lid and connected to the NC contact.

A single power supply voltage must be defined between:
24V (AC/DC), 48V (AC), 115V (AC) or 230V (AC).

Not available with IECEx certification.

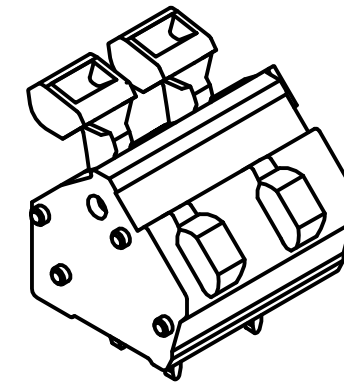
Only available with ATEX marking: II 3 Ex tc IIIB T85°C IP65 Dc



- SPRING TERMINAL BLOCK

Tension clamp spring connection.
No tool needed for wires connection.

0.13 - 2.5 mm² (IEC) / 26 - 14 AWG (UL)

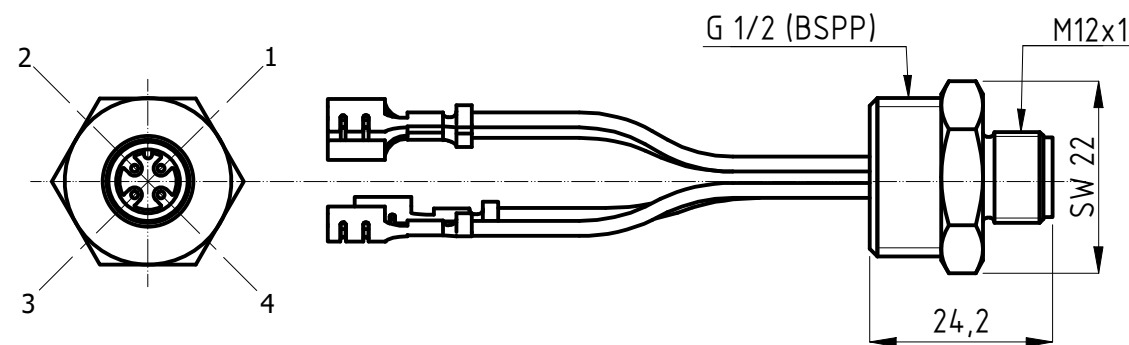


- M12 CIRCULAR CONNECTOR

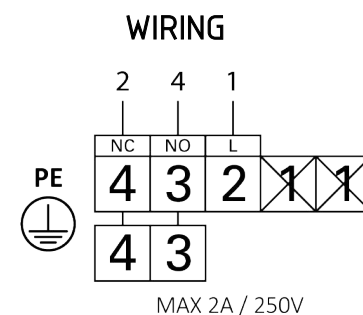
It is possible to add the 4-poles M12 circular connector, for a quick and reliable electrical connection.

It is mounted through a G 1/2 reduction on the M21 cable entry, and is therefore only available for models with a G 1/2 cable entry.

Rated a power supply of up to 150V (AC/DC) , max. contacts capacity 2A.



M12 pole N.	Signal
1	L
2	NC
3	N (Lamp only)
4	NO



	DRAWING N.	SHEET:	
	Y	0602_0021_00	2 OF 2
GENERAL TOL.: ISO 2768-mH	UNLESS OTHERWISE SPECIFIED DIMENSION ARE IN (mm)	DRAWING FROM CAD SYSTEM - REFER TO 3D MODEL FOR MISSING DIMENSION - NO MANUAL MODIFICATION ALLOWED	SCALE: 1:1
			DRAWN S.P. DATE 18/10/2023